

since 1990
 XR-C112

High Frequency Mobile Surgical X-ray System



Smart C-arm has an Attractive design, Compact appearance, More details and Less dose. It is Suitable for orthopedics and several surgery such as Osteopathy, dialysis, nailing, removing foreign body, implanting pace maker, interventional therapy, partial radiography, local photograph and other work.

Features:

Pulse control, Digital radiography, Auto fluoroscopy

- High frequency high voltage x-ray generator and high precision digital pulse control technology ensure excellent image with low skin dose.
- Digital radiography function, no more film-screen system, simplify the operate process.
- Maximum optimize the image brightness and definition depend on the KV/mA auto trace function.
- Electric controlled collimator satisfy multi-angle and multi-directional anatomical display requirements.

Digital mega pixels image system

- High quality image intensifier
- High definition CCD camera
- High-resolution high-brightness monitoring system

Friendly user interface, convenient operate

- Human graphic LCD touch screen system
- Hand controller design support long distance exposure.

Flexible c-arm design

- All angles rotation
- Divertible main wheel together with direction wheels make movement more flexible.
- Electric support arm make the movement of machine more stable during moving.

- Equipped with workstation to realize the functions include registration, image collection, processing, issue the report and so on, Dicom interface to connect the hospital imaging network.



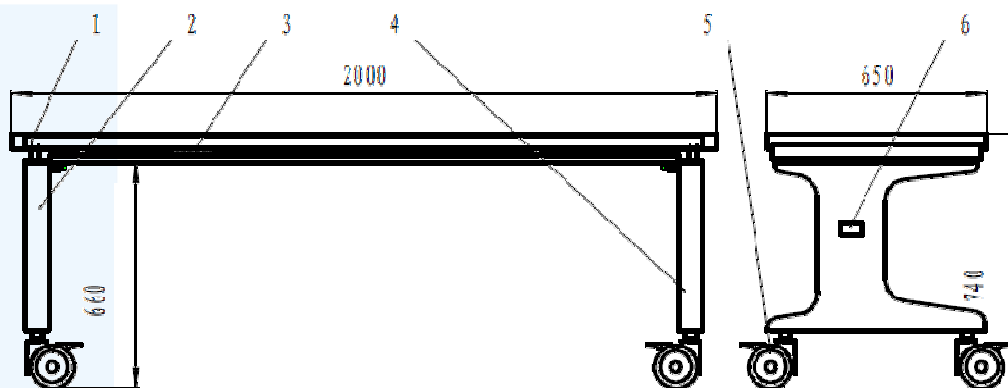
Specifications:

Model	XR-C112D	XR-C112B
Power Output	3.5kW	5kW
Inverter Frequency	40kHz	40kHz
Dual focus	0.3/1.5	0.3/1.5
Continuous Fluoroscopy Mode(manual & automatic)	Tube Voltage:40kV~110 kV Tube Current:0.3mA~4mA	Tube Voltage:40kV~120 kV Tube Current:0.3mA~4mA
Pulse Fluoroscopy	Tube Voltage:40kV~110 kV Tube Current:0.3mA~8mA 0.1~10 frames / second	Tube Voltage:40kV~120 kV Tube Current:0.3mA~30mA 0.1~10 frames /second
Photography Mode	Tube Voltage:40 kV ~110 kV Tube Current:20 mA ~63mA mAs:1~125 mAs	Tube Voltage:40 kV ~120 kV Tube Current:25 mA ~100mA mAs:1~180 mAs



XR-T112

Intelligent All-directions Mobile Table



- 1. Bed board
- 2. Bed frame
- 3. Electromagnetic brake device
- 4. Battery charging device
- 5. truckle
- 6. Product Nameplate

Features:

- Size: 200cm×65cm×74cm (L×W×H)
- Bed Board longitudinal movement range : More than 200mm
- Bed Board Lateral movement range : More than 100mm
- Electromagnetic brake device resistance : ≥100N
- Materials :Medical laminated type optical fibre board
- Battery output voltage : 24V

X-ray Table Material	Advantage
Aluminium board	<ul style="list-style-type: none"> ➤ It is best to filter ➤ Scattered rays
Carbon fiber board	<ul style="list-style-type: none"> ➤ pressure-resistant materials ➤ Light weight ➤ intensity is better than steel , lower density than aluminum
Medical laminated type optical fiber board	<ul style="list-style-type: none"> ➤ X - ray through rate is high ➤ Weight is relatively light ➤ The price is relatively cheap ➤ the body comfort is better ➤ It will not be out of shape after Long-term use